
Bencox[®]

M Stem

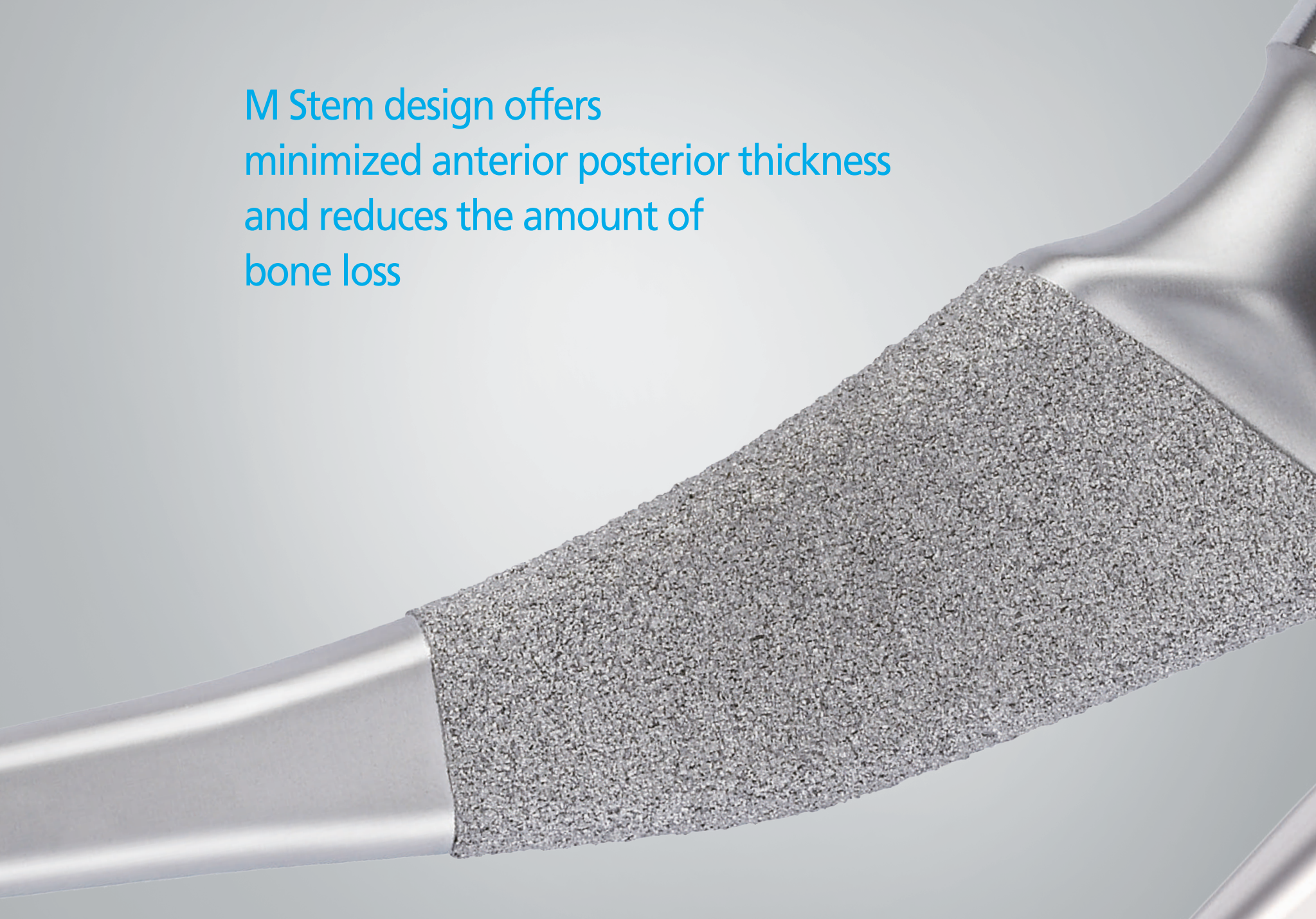
Minimize the loss,
Maximize the quality of life



Medical Devices and Health Solutions

www.dipromedic.com

M Stem design offers
minimized anterior posterior thickness
and reduces the amount of
bone loss





» Soft Tissue and Bone Preserving



Soft Tissue and Bone Preserving

Allows for less damage to the greater trochanter during surgery.

Shortened Body Length

Minimizes intrusion into the femoral canal.

Curved Distal Tip

Allows for easier and smoother stem insertion into the femoral canal.

» Axial and Rotational Stability

Optimized Proximal-to-Distal Taper

Reflecting the natural contour of the femoral canal, M Stem minimizes distal migration when M/L cortical contact is achieved. Hence, Bencox[®] M Stem maintains rotational stability.

Narrow Anterior-to-Posterior Width of the Stem

Allows the stem to be sized to fill the largest dimension of the femoral canal (the medial-to-lateral width).



X-ray image of cadaver test from Dec. 2012

» Wide Range of Motion

Patented Trapezoidal Neck Geometry

Improves range-of-motion and decreases the risk of dislocation due to neck impingement.

ROM Test

The patented* trapezoidal neck design ensures protection against impingement and dislocation.

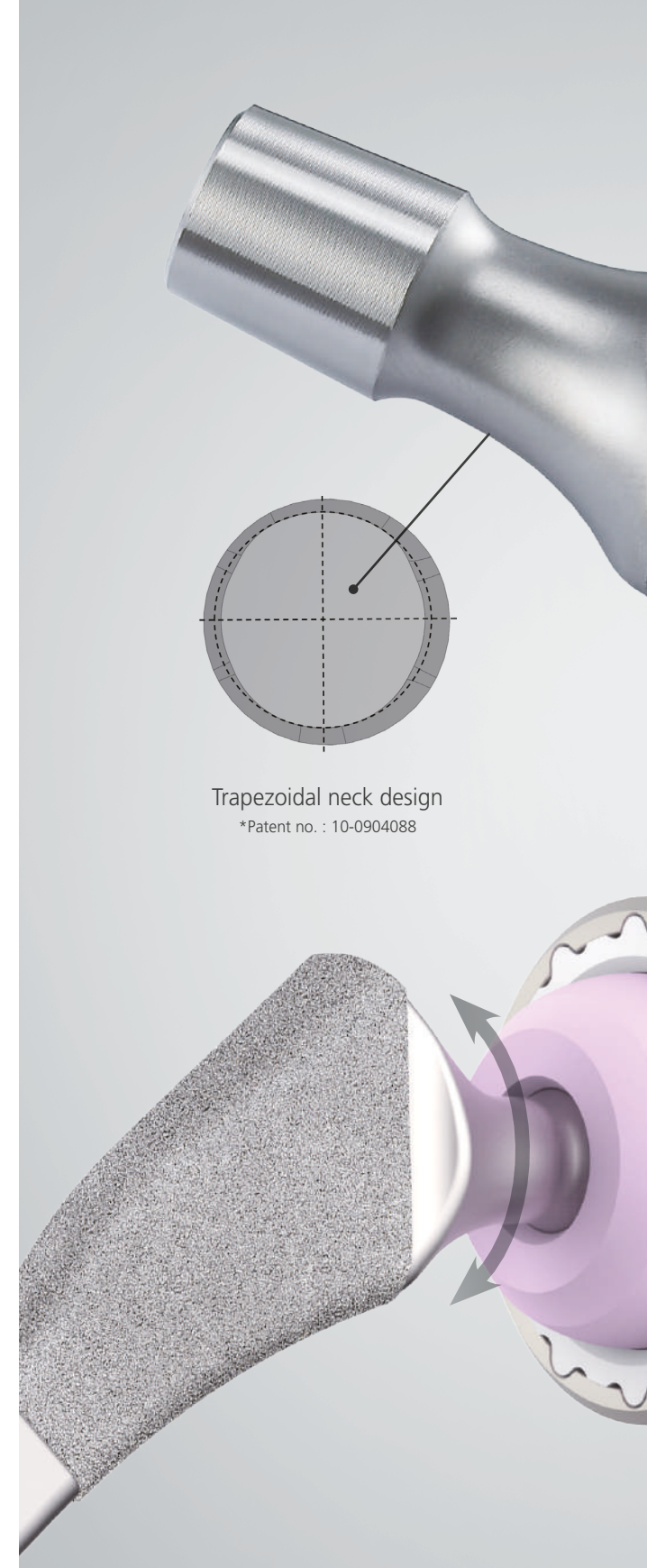
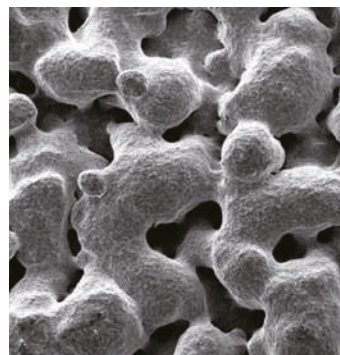
Femoral Stem	Bencox® M Stem #11	
Acetabular Cup	Bencox® Mirabo Cup 54mm	
PE Liner	36/44 Standard type	36/44 Elevated type (15°)
Metal Head	36M	
Σ flex/ext	145°	129°
Σ abd/add	141°	141°
Σ int/ext rot	242°	216°

* Patent no. : 10-0904088, Korea

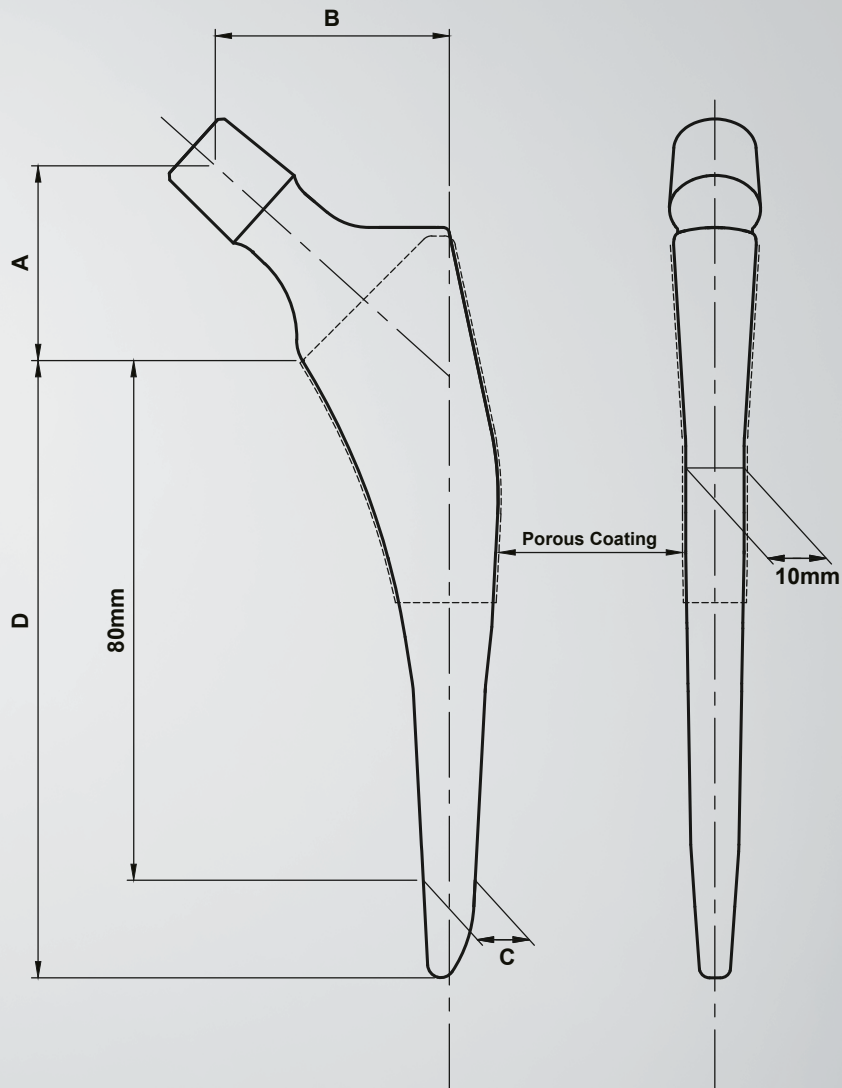
• Data on file at Corentec

» Clinically Proven TPS Coating

The microporous pure titanium coating consists of pores of 50-200 μ m in diameter with more than 30% porosity, leading to direct bone apposition for secondary stability.



» Specifications



» Ordering information

Part No.		Size	α [CCD angle]	A [mm]	B [mm] (Standard offset)	B' [mm] (Lateralized offset)	C [mm]	D [mm]
Standard Offset	Lateralized Offset							
HA.F22.1001	HA.F24.1001	1	132°	30	36	42	8	95
HA.F22.1002	HA.F24.1002	2		30.5	37	43	9	97
HA.F22.1003	HA.F24.1003	3		31	38	44	10	99
HA.F22.1004	HA.F24.1004	4		31.5	39	45	11	101
HA.F22.1005	HA.F24.1005	5		32	40	46	12	103
HA.F22.1006	HA.F24.1006	6		32.5	41	47	13	105
HA.F22.1007	HA.F24.1007	7		33	42	48	14	107
HA.F22.1008	HA.F24.1008	8		33.5	43	49	15	109
HA.F22.1009	HA.F24.1009	9		34	44	50	16	111
HA.F22.10010	HA.F24.1010	10		34.5	45	51	17	113
HA.F22.10011	HA.F24.1011	11		35	46	52	18.5	115
HA.F22.10012	HA.F24.1012	12		35.5	47	53	20	117
HA.F22.10013	HA.F24.1013	13		36	48	54	21.5	119



Bencox[®] Hip System



Headquarters & Manufacturing
12, Yeongsanhong 1-gil, Ipjang-myeon,
Seobuk-gu, Cheonan-si, Chungcheongnam-do, Korea 31056
Tel. +82-41-585-7114 Fax. +82-41-585-7113

Seoul Office
8F, 11F, Chungho Tower, 483, Gangnam-daero,
Seocho-gu, Seoul, Korea 06541
Tel. +82-2-3445-5492~5 Fax. +82-2-3445-5467, 5497

Corentec America, Inc.
60 Washington Street.Suite 202,
Morristown, NJ 07960, USA
Tel. +1-862-777-8320 Fax. +1-862-777-8319

Corentec China Co., Ltd.
Liyeah commune E-03, No.699 Wuzhong road,
Minhang district, Shanghai 201100, China
Tel. +86-21-6040-7980

EC Representative: Emergo Europe
Prinsessegracht 20, 2514 AP, The Hague, Netherlands

www.corentec.com